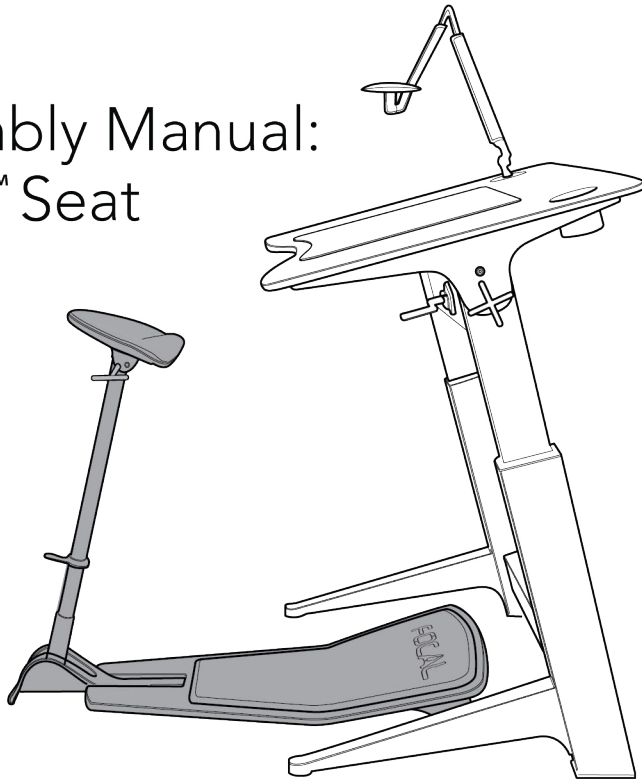


FOCAL™

UPRIGHT

Assembly Manual: Locus™ Seat



Caution: This is not your grandfather's office desk!
Please read this manual thoroughly.



Thank you for purchasing from Focal Upright and congratulations on joining the Upright Revolution! We're glad to have you with us.

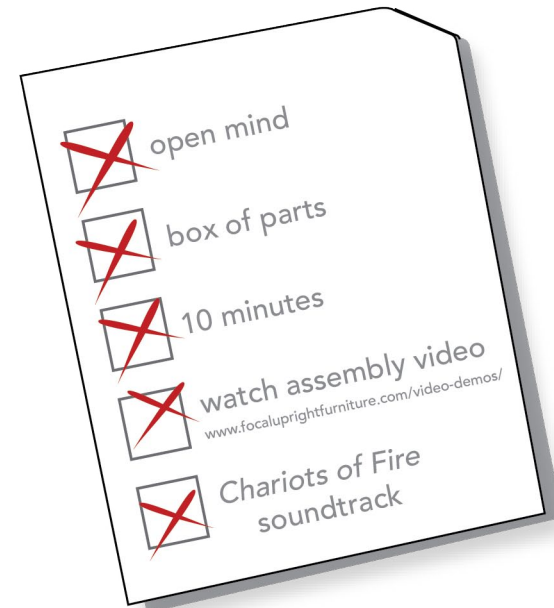
You have made a choice for healthy, active living. Give yourself some time to get used to this new working posture. You'll probably be engaging muscles in ways you aren't accustomed to – give it a few weeks. And don't worry about the funny stares from your unenlightened co-workers. Stand tall and know you're about to work better and live better!

We stand behind our products and here's why: **a body in motion stays in motion.**

You spend a third of your life at work, behind your desk and on your bum. But studies have proven that physical activity throughout the day - even just small movements - leads to better health. Upright and moving is better for you. This simple Focal tweak to your workday makes all the difference.

The Locus Seat from Focal lets you rock the day job in a posture halfway between standing and sitting. Designed to move with you, encourage active engagement, and allow your creative juices to flow. A pivoting leg adjusts instinctively to every move you make allowing Locus to support your natural balancing point. The patent pending design keeps your body active and brain engaged, stimulating blood and oxygen flow. It's about achieving mental clarity rarely enjoyed while sitting, activating the body to keep up with the mind. Kinetic yet balanced.

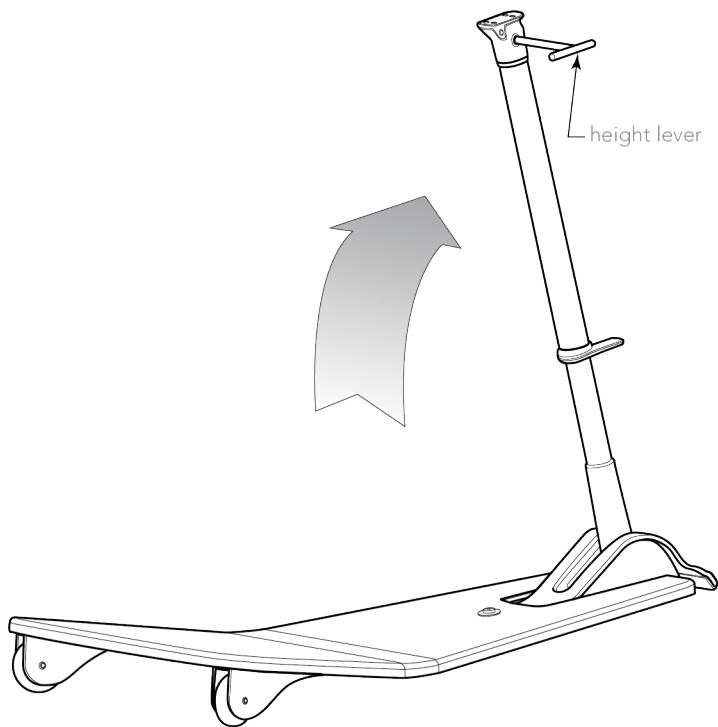
Take a stand - the chair has evolved



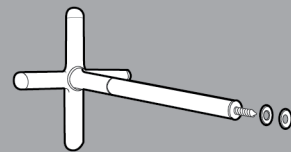
1

Get Started!

Open the box and CAREFULLY allow leg to flip up.
Check height lever for proper engagement. When lever is lifted, upper leg extends.

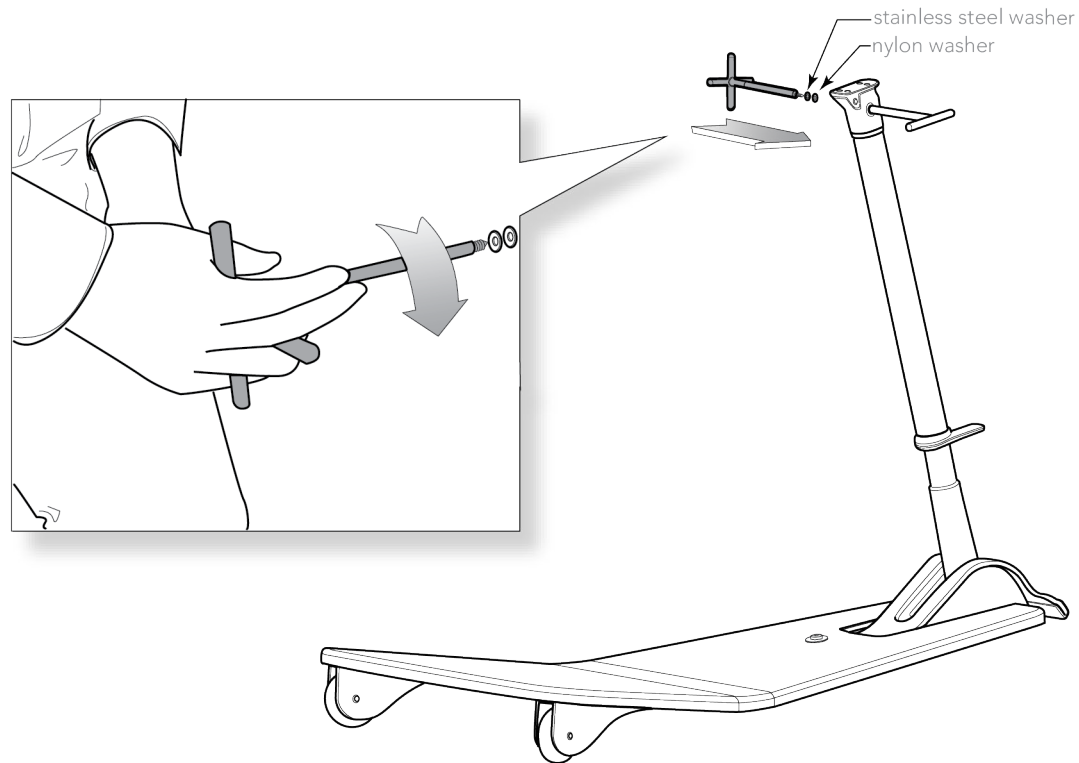


2

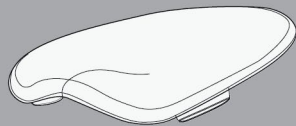


Angle Adjuster
1X
Washers
2X

Screw the angle adjuster on to the upper leg securely.

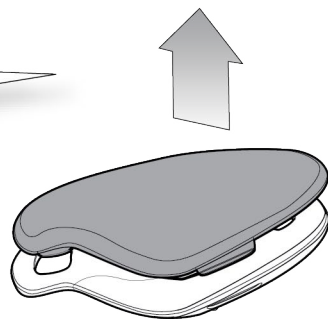
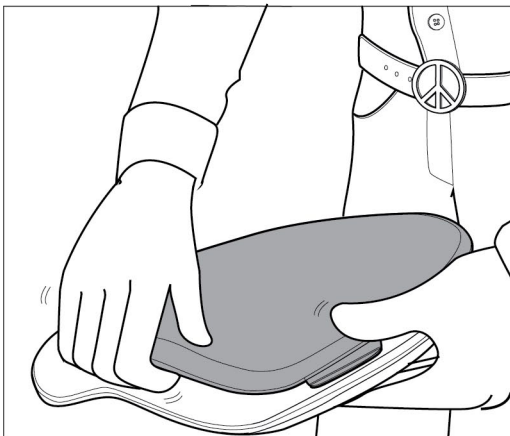


3

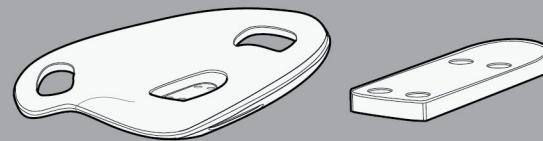


Seat Cushion
1X

Unsnap seat cushion from seat pan.

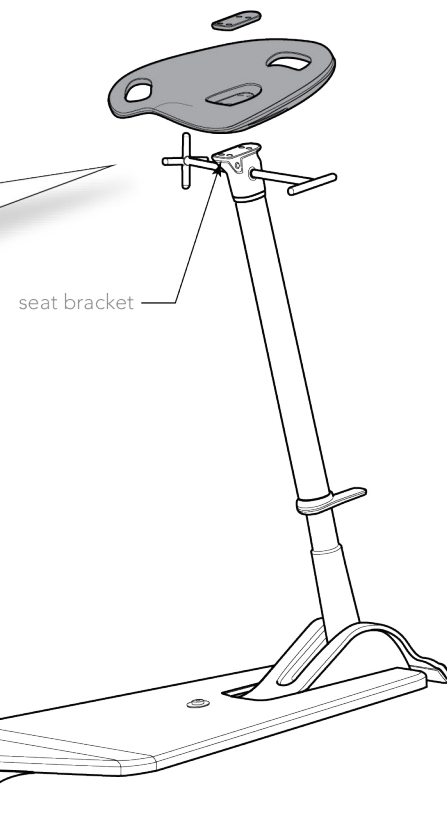
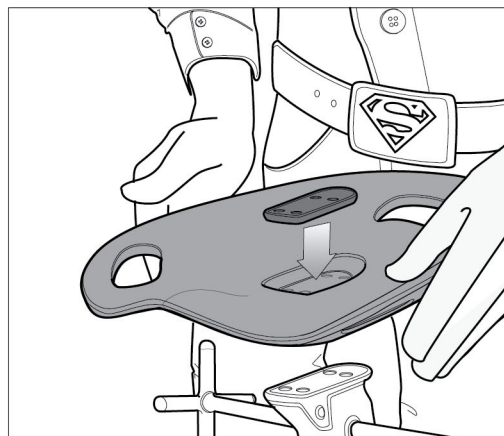


4

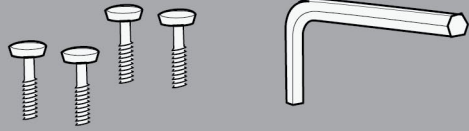


Seat Pan
1X
Screw Plate
1X

Line up seat pan and seat bracket holes.
Drop screw plate in to seat pan.

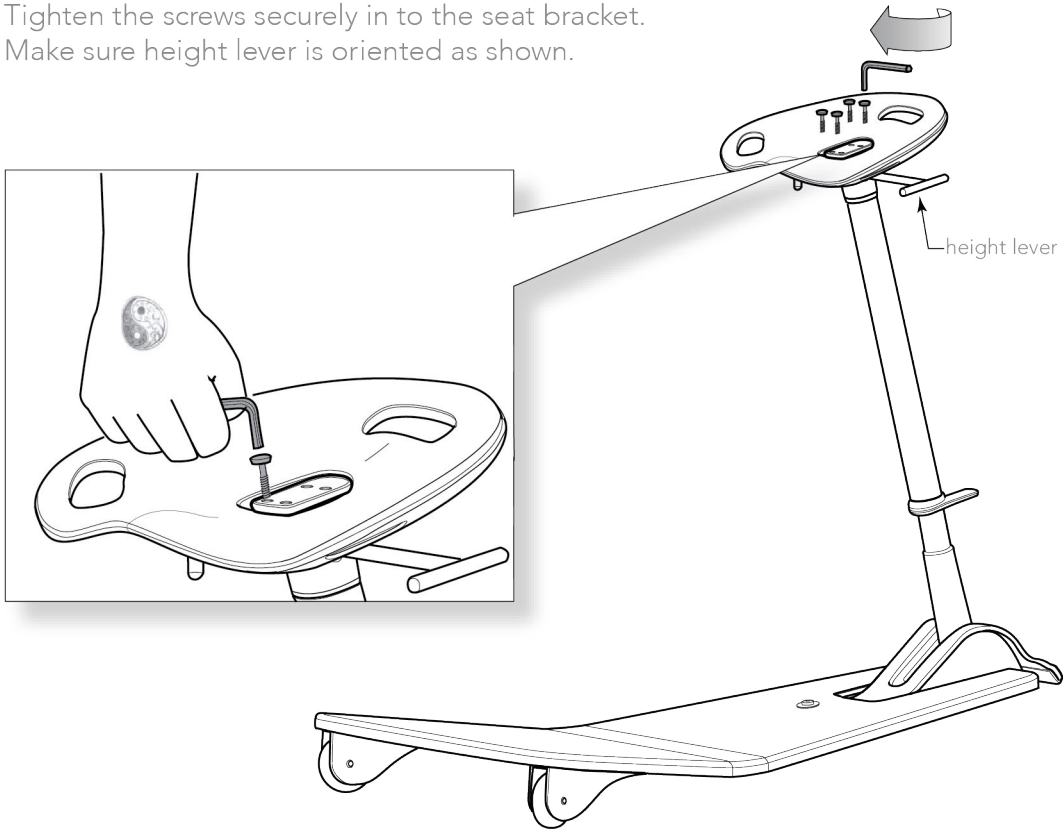


5

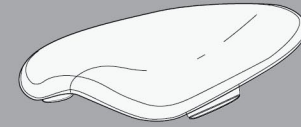


Screw
4X

Tighten the screws securely in to the seat bracket.
Make sure height lever is oriented as shown.

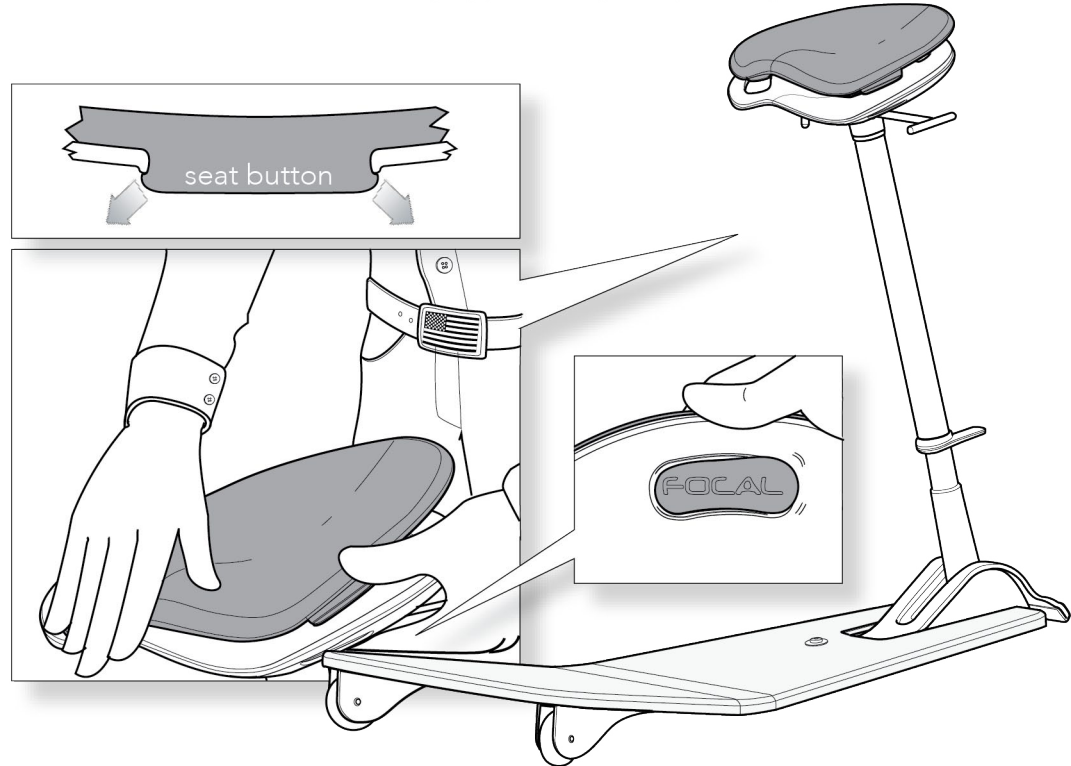


6



Seat Cushion
1X

Snap the seat cushion on to the seat pan.
Be sure the cushion buttons are popped completely through.

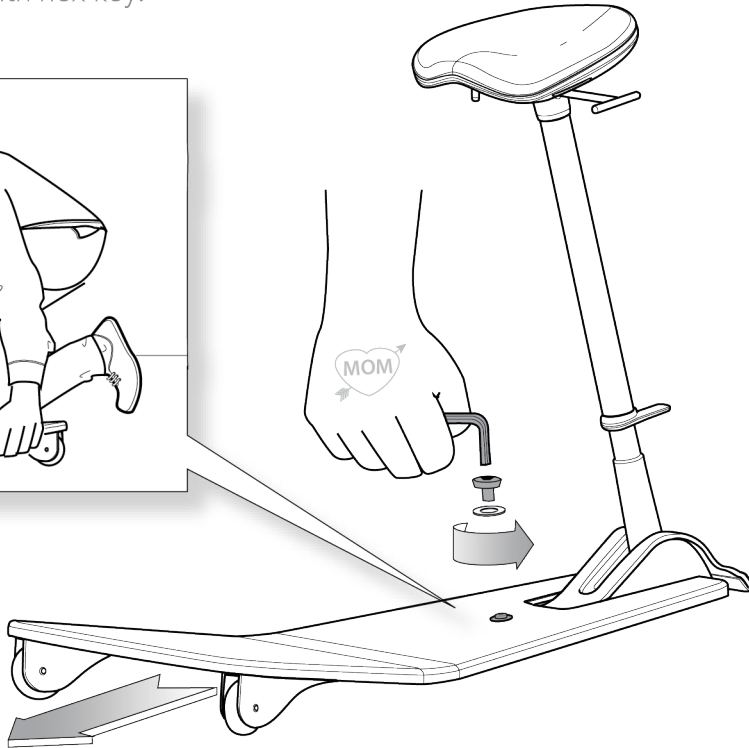
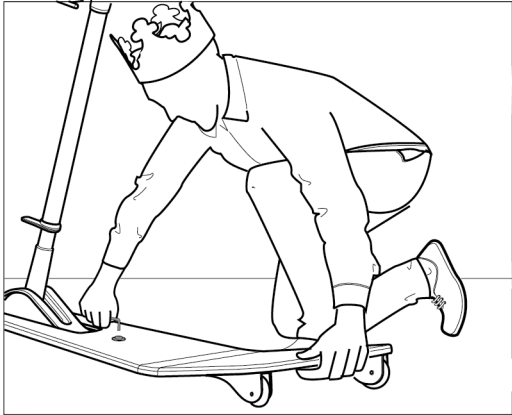


7



T-Nut
Washer
Hex Key
1X

Loosen the T-nut with hex key.
Slide the base board forward to desired length; refer to Adjustment Guide.
Tighten T-nut securely with hex key.

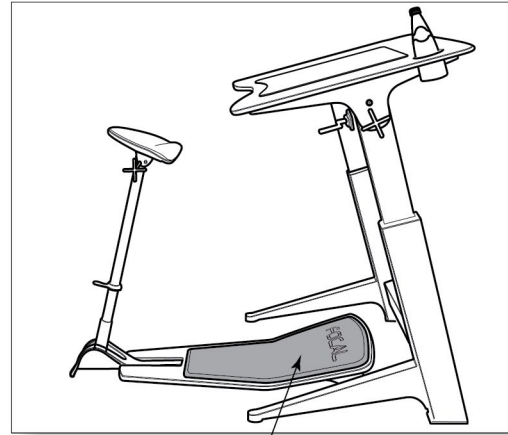


8

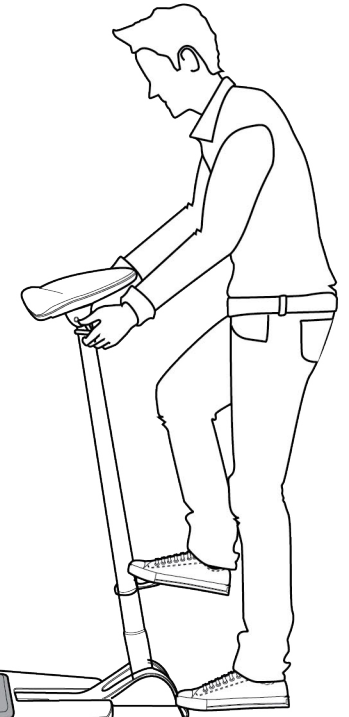


Check Piston Function

Lift height lever to be sure the piston engages; the seat should rise.
To lower seat, press foot on seat pedal while raising lever.



If you purchased the anti-fatigue mat place here.



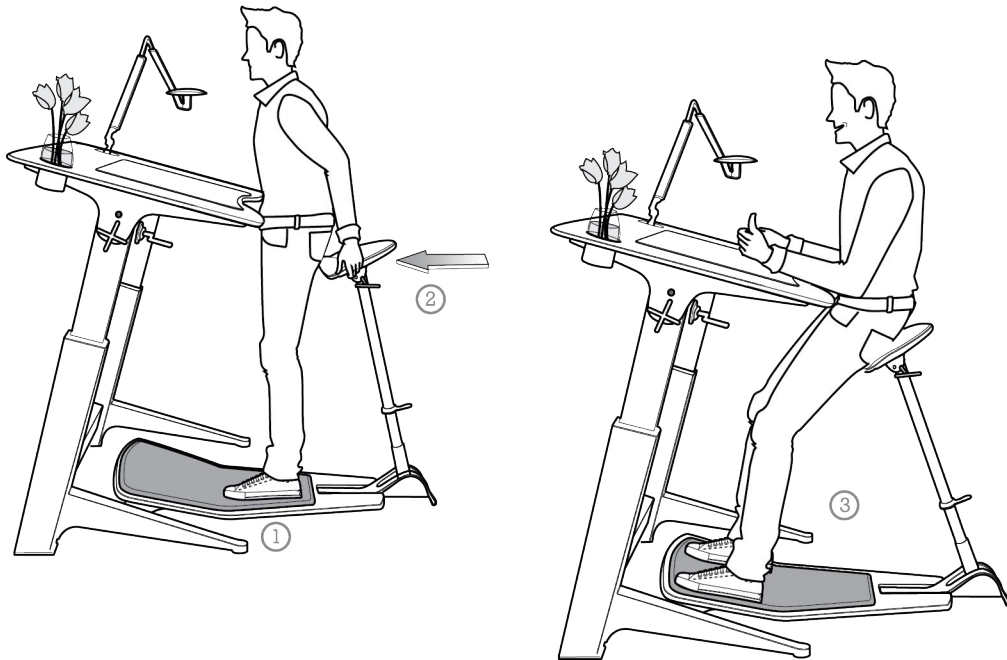
Height lever should be on your left while seated.



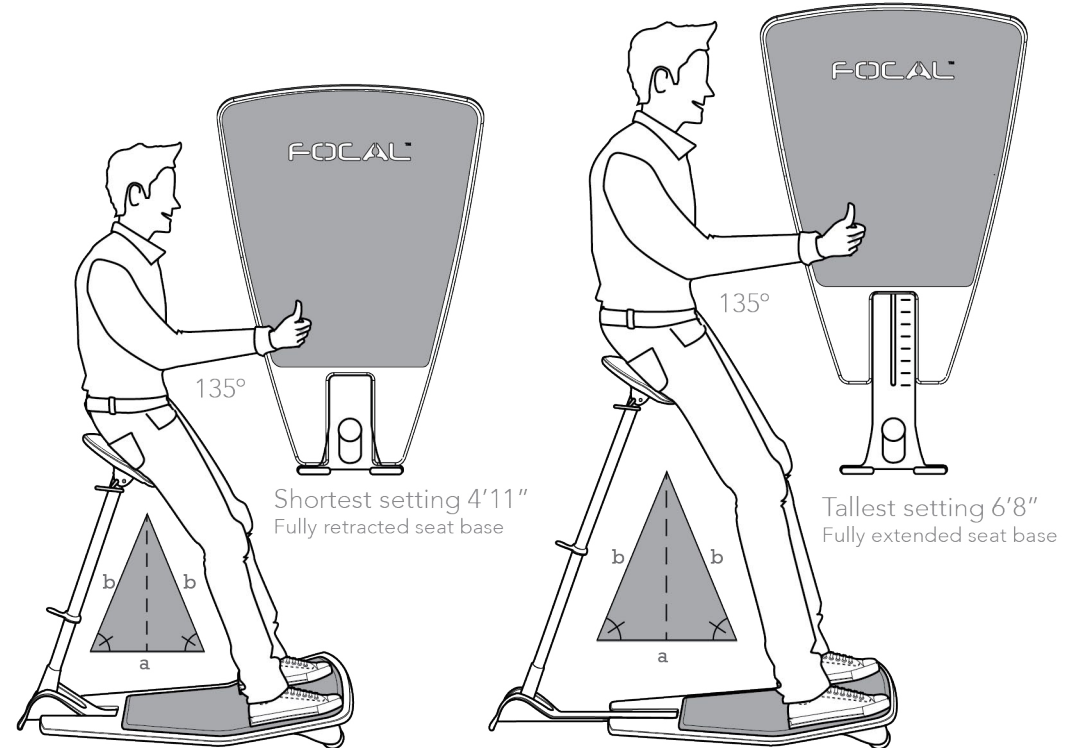
Adjustment Guide



1. Stand on center of flat area.
2. Pull seat pan forward.
3. Raise seat, as needed.
4. Lean back and step forward.
5. Win MacArthur Genius Award!



Find your setting that makes a balanced triangle. Check out this short video to be sure you are using the seat correctly: vimeo.com/95231737



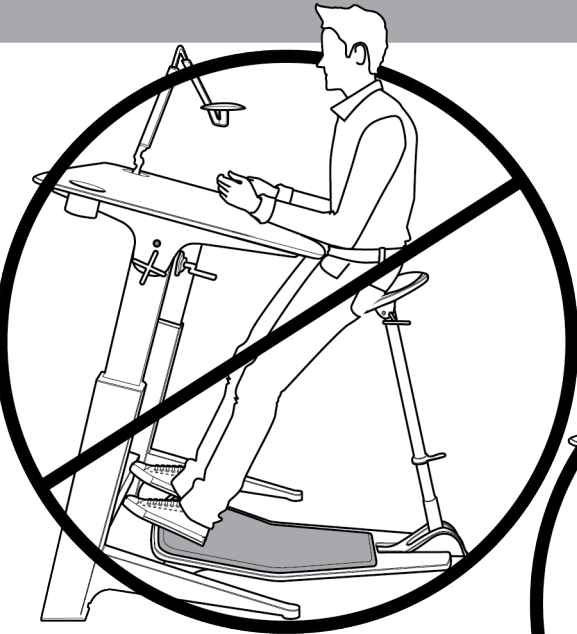
Shortest setting 4'11"
Fully retracted seat base

Tallest setting 6'8"
Fully extended seat base

How Not To Use



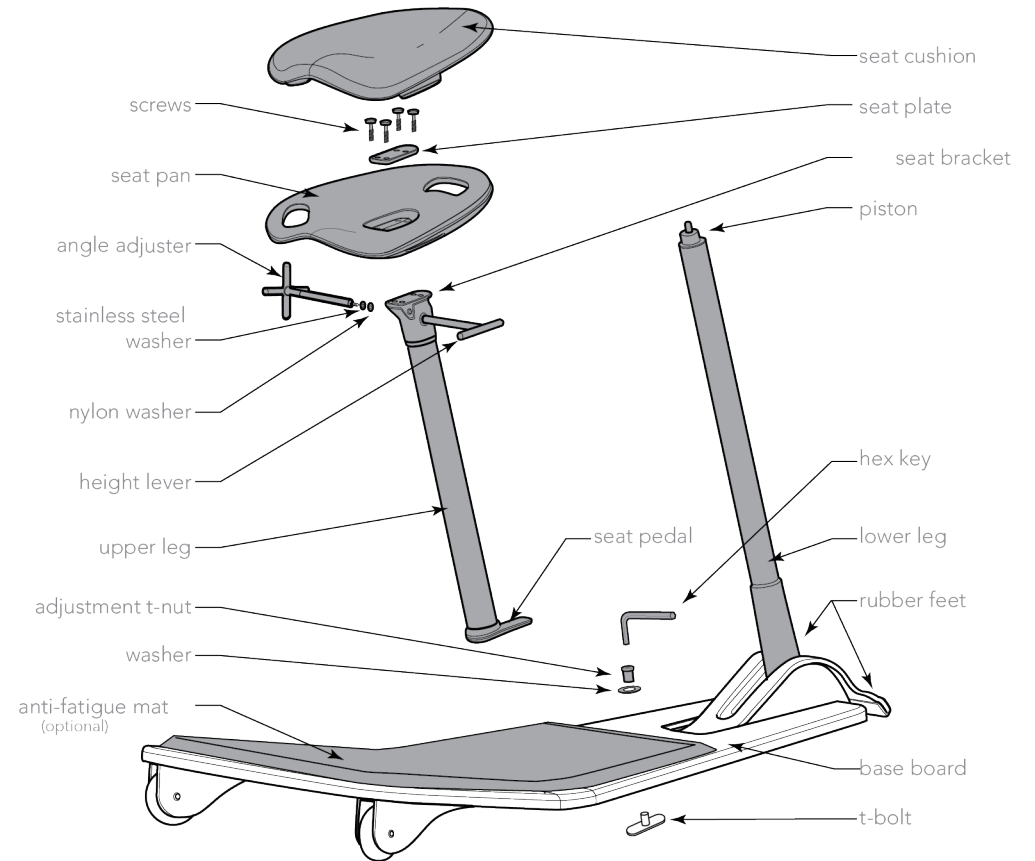
Parts List



Do not place feet over edge.



Keep both feet on platform while seated.



FOCAL™

Your Limited Lifetime Warranty

Focal Upright warrants that our products are free from defects in material and workmanship for the life of the product, except as set forth below. This warranty is valid from the date of delivery and covers the original purchaser only. The warranty does not apply to product failure or loss resulting from normal wear and tear, abuse, misuse or accident; improper installation; installation of non-Focal components; damage caused by carrier during shipping; and service or maintenance by anyone other than an authorized Focal representative.

This warranty is not transferable and only covers Focal products purchased directly from FocalUpright.com or from an authorized reseller, by purchasers located in the United States or Canada. The original receipt must accompany all warranty claims, or the purchase must be registered by purchaser with Focal. In the event of a valid warranty claim, Focal guarantees repair or replacement without charge. You will be responsible for the shipping charges.

Exceptions to the lifetime warranty:

- 5 Years : Seating - Foam and seating textiles, mechanisms, pneumatic cylinders, wheels and height-adjustable mechanisms
Desks - Height-adjustable mechanisms
- 10 Years: Laminate and wood veneers
- 1 Year: Mogo Travel Seat

Thank you for purchasing from Focal Upright and for joining the Upright Revolution!
We hope you thoroughly enjoy your new Focal product! Cheers,

-Martin Keen and the Focal Upright Team

